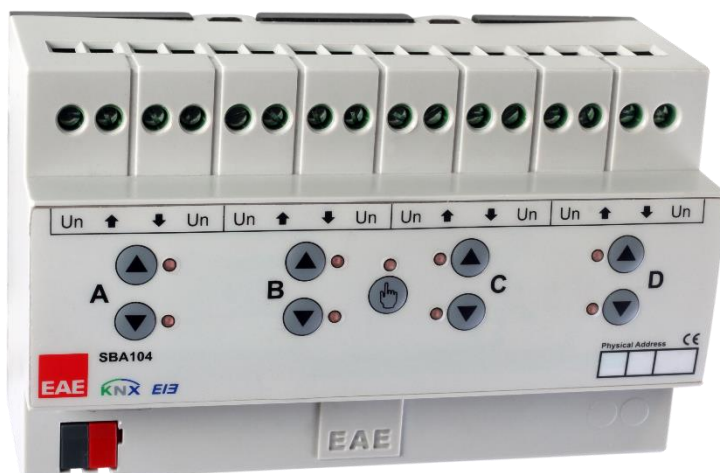


General Description



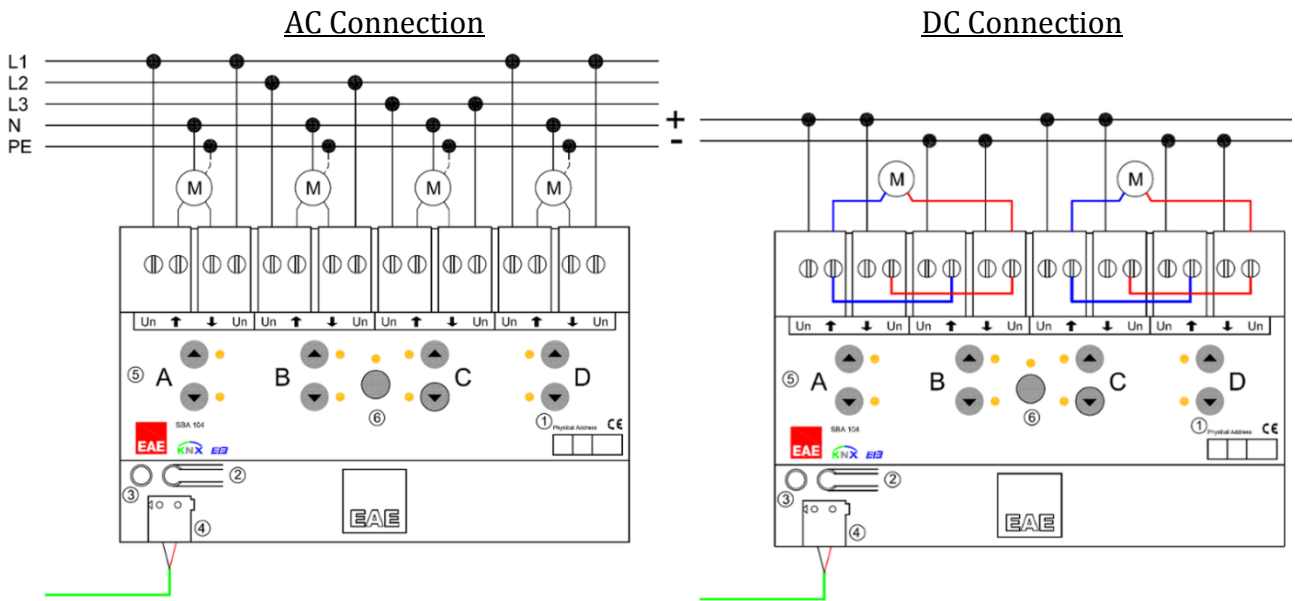
- Shutter/Blind Actuator SBA104 is used to control blind, roller shutter, venetian blind and ventilation flaps.
- The device can be configured to have 4 AC drive channels(A, B, C, D) or 2 DC drive channels.(AB, CD)
- Each channel can be parameterized with ETS3/ETS4. Each channel can actualize any of following functions separately,
 - ✓ Enable position/presets
 - ✓ Enable automatic sun protection
 - ✓ Weather alarm
 - ✓ Forced position
- Thanks to travel detection feature no need for measuring travel time of rollers.

- Manual operation feature for each channel. After pushing manual button on the device, blinds can be controlled Up/Down.
- Manual operation buttons on device have their respective LEDs to ensure that they are pressed accurate.
- Changeable behavior after voltage return, voltage failure, ETS download.

Technical Data

Type of protection	IP 20	EN 60 529	
Safety class	II	EN 61 140	
Power supply :	- Voltage	21V... 30V DC, SELV	
	- Current consumption	≤ 10 mA	
External supply	---		
Connections	- Screw terminals	0,5...4 mm ² solid and stranded wire 0,5...2,5mm ² stranded wire with ferrule	
	- Max tightening torque	0.8 Nm	
	- KNX	Bus connect terminal	
Output	- Number	4 channels	
	- Switching voltage	277 AC; 50/60 Hz	
	- Switching capacity 277 V AC	10A / AC 1	
Output life	- Mechanical life	> 1 x 10 ⁶	
Type of contact	- potential-free, bistable		
Installation	- 35mm mounting rail	EN 60 715	
Operating elements	- LED (red) and button	For physical address	
Temperature range	- Ambient	-5° C + 45° C	
	- Storage	-25° C + 55° C	
	- Transport	-25° C + 70° C	
Humidity	- max. air humidity	85 % no moisture condensation	
Dimensions		65,5 x W x 89mm	
	Width W in mm	144 mm	
	Width W in units (18 mm modules)	8 modules	
Weight		0,45 kg	
Box		Plastic, polycarbonate, color grey	
CE		In accordance with the EMC guideline and low voltage	
Application program	Communications	Number of addresses(max)	Number of assignments(max)
	objects		
	144	253	253

Connection Example



Scale Drawings

