

General Description

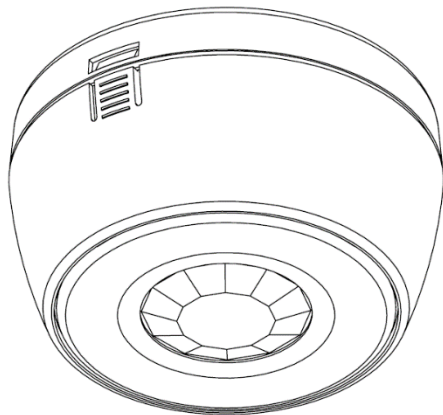


Figure 1: PD100 Surface Mount

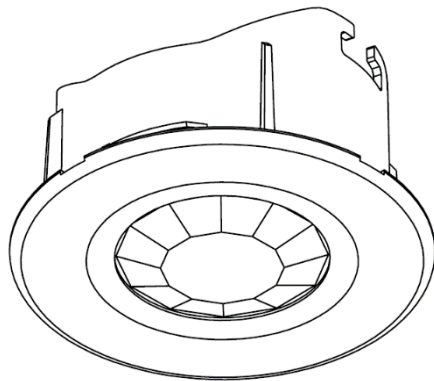


Figure 2: PD100 Flush Mount

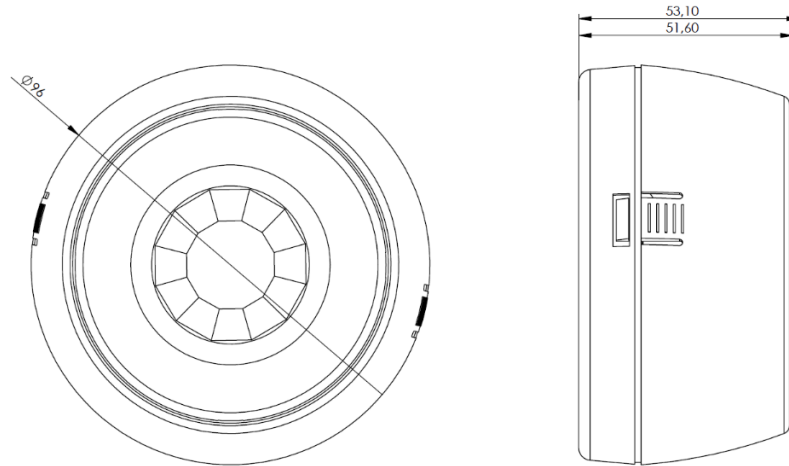
- PD100 KNX Presence Detector is ideal for interior rooms such as medium to large-size offices, corridors, classrooms, conference and meeting rooms, parking buildings, warehouses and sport halls. Detector is available in two models; flush mounted and surface mounted. Both models can detect the motion over 9m diameter at installation height of 2.5m.
- Constant light function can be applied in dependence of presence information thanks to integrated brightness sensor and movement sensor. PD100 regulates the ambient brightness to a defined brightness value.
- Lighting can be set to different brightness levels with corridor function based on occasions such as "motion detection, after movement, no action". Stay-on time can be changed the by end user.
- Air-conditioning and ventilation systems can be controlled by independent HVAC channel.
- Presence information can be sent to presence monitoring applications by independent presence channel.
- The EAE KNX Presence Detector PD100 can either used as a standalone device or master-slave device (parallel operation with other PD100s) according to necessity of project.
- PD100 enables fully-automatic and semi-automatic lighting control.
- Test and calibration mode allows for easy installation.
- The device does not require an additional power supply.

Technical Data

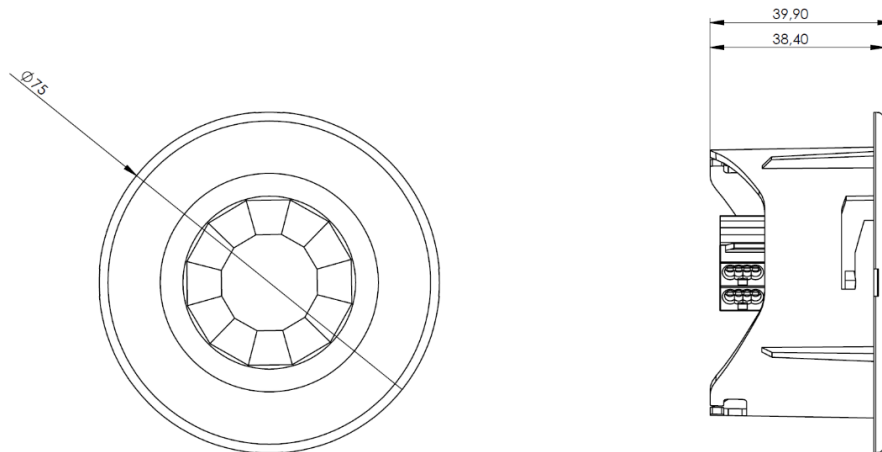
Type of protection	IP 20	EN 60 529
Safety class	II	EN 61 140
Power supply :	Voltage	21V... 30V DC, KNX line
	Current consumption	< 10 mA
Application Area		Interior rooms
Sensor Type		Passive infrared
Installation	Location	Ceiling
	Recommended height	2,5m - 5m
Detection	Diameter (at height of 2,5m)	9m movement detection
	Area	64 m ²
	Angle	360°
	Light level	10 – 1000 lux
Additional channels		Brightness, presence channel, HVAC channel
Parallel operation		Master/Master, Slave/Master
Operating elements	LED (red) and button	For physical address
Temperature range	Ambient	-5° C + 45° C
	Storage	-25° C + 55° C
	Transport	-25° C + 70° C
Dimensions		42.5 x 42,5 x 12 mm
Weight	0.06 kg	

Box	Plastic, polycarbonate, colour white	
CE	In accordance with the EMC guideline and low voltage	
Application program	Communications objects	Number of addresses(max)
	44	254

Scale Drawings



Drawing 1: PD100 Surface Mount



Drawing 2: PD100 Flush Mount